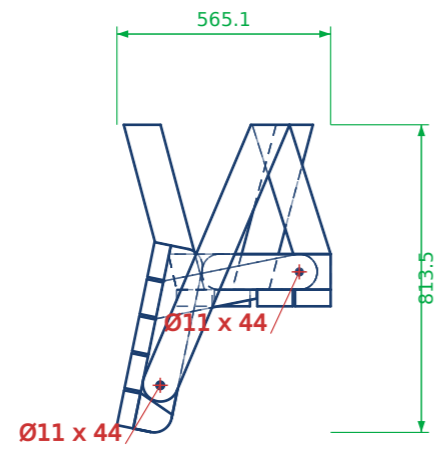
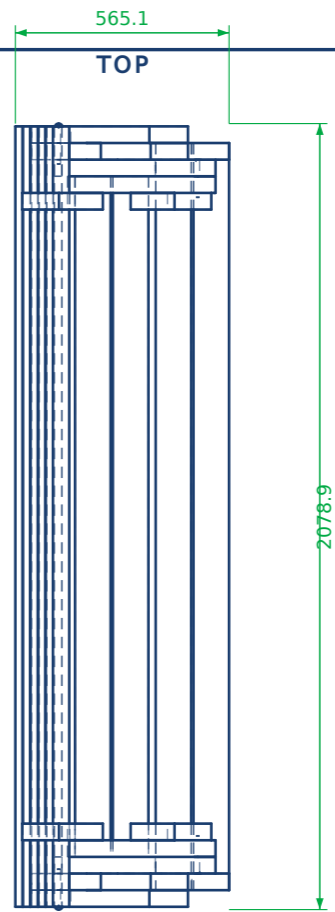
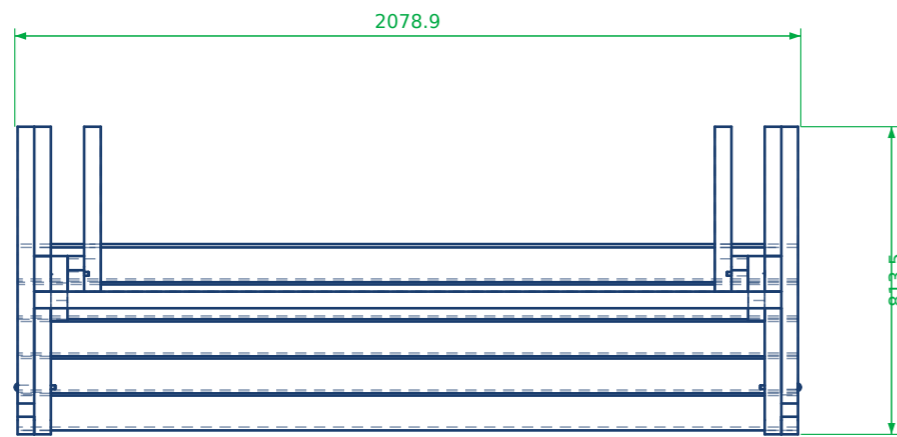


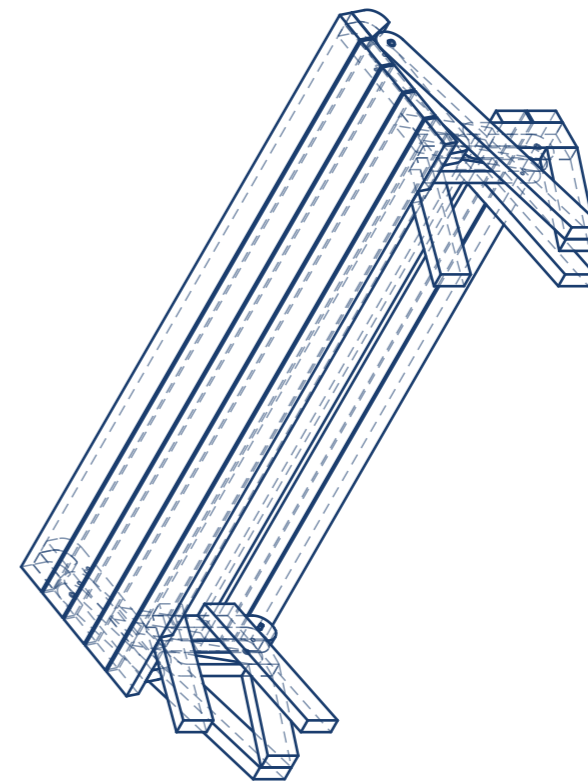
AI: Multi-rod truss frame assembly with angled supports and horizontal bars
FRONT (primary)



LEFT



ISO



CYANOGRAPH

TITLE
 outdoor bank 1.8m

DRAWN
 Cyanograph

TRUE DIMS (OBB)

QTY
 x1

STANDARD
 ISO · 1st angle

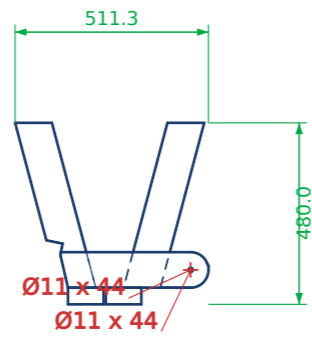
UNITS · DATE
 mm · 2026-05-13

SHEET · SCALE
 A3 · 1:20

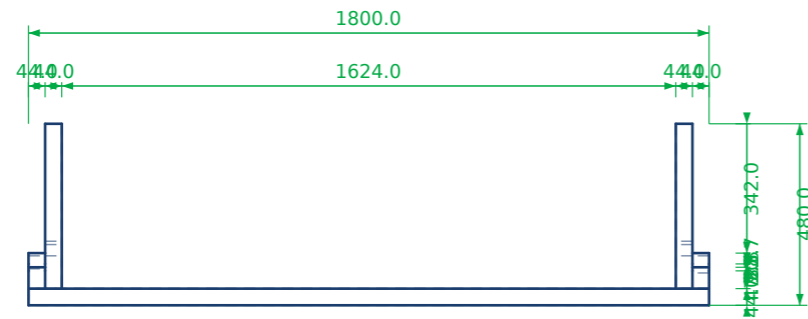
REV
 A

AI: Vertical rod assembly with angled bars and horizontal connector

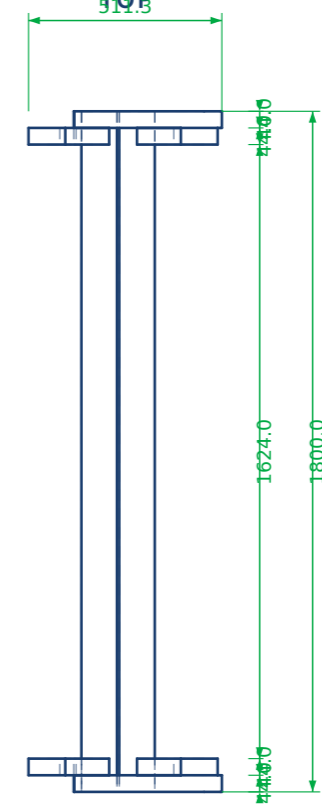
FRONT (primary)



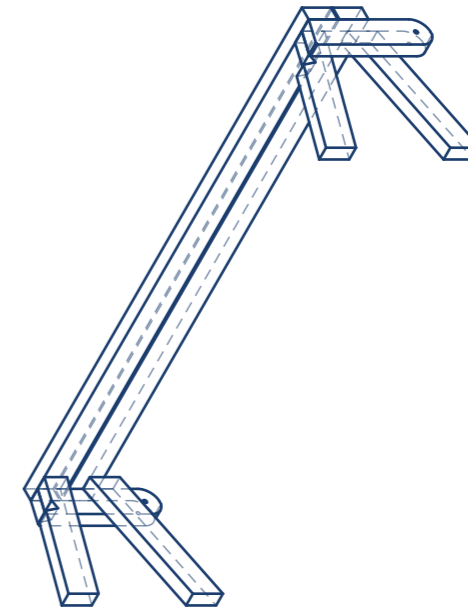
LEFT



TOP



ISO



CYANOGRAPH

TITLE
Bank 1
outdoor bank 1.8m
DRAWN
Cyanograph

TRUE DIMS (OBB)

QTY
x1

STANDARD
ISO · 1st angle

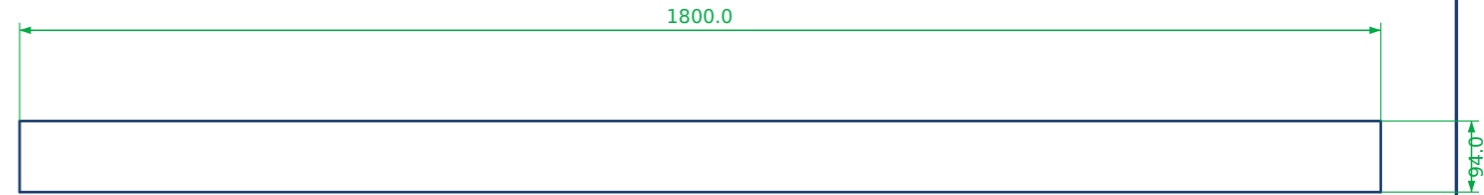
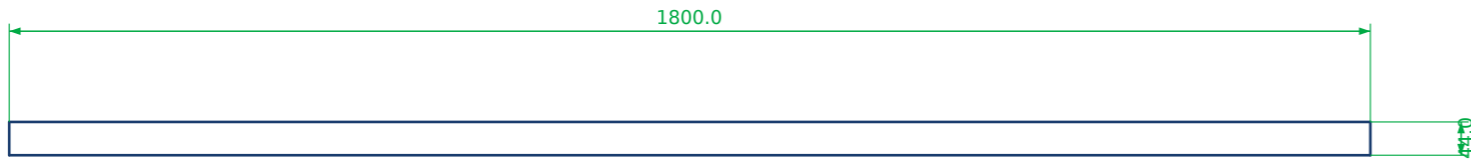
UNITS · DATE
mm · 2026-05-13

SHEET · SCALE
A3 · 1:20

REV
A

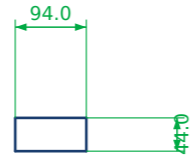
FRONT (primary)

TOP



RIGHT

ISO



CYANOGRAPH

TITLE

Detail 1: rod

outdoor bank 1.8m — Bank 1

DRAWN

Cyanograph

TRUE DIMS (OBB)

1800.0x94.0x44.0 mm

QTY

x2

STANDARD

ISO · 1st angle

UNITS · DATE

mm · 2026-05-13

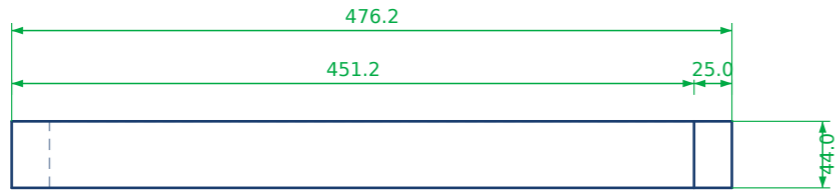
SHEET · SCALE

A3 · 1:10

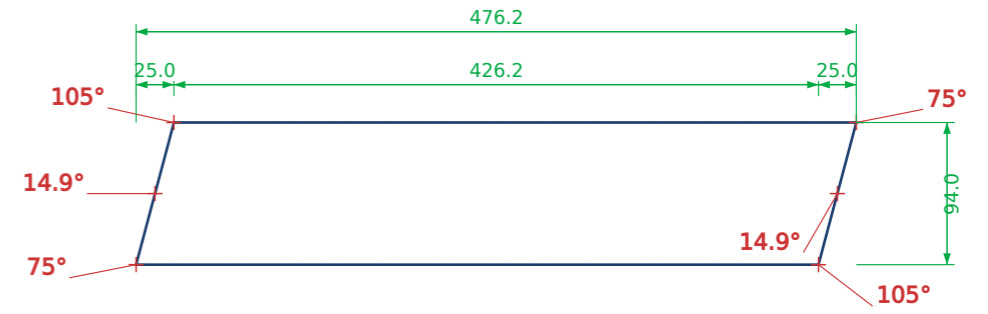
REV

A

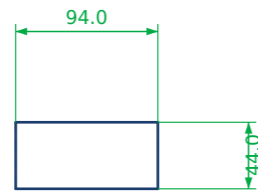
FRONT (primary)



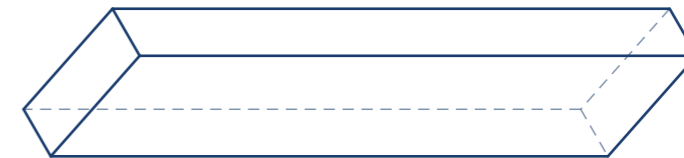
TOP



RIGHT



ISO



CYANOGRAPH

TITLE

Detail 2: bar

outdoor bank 1.8m — Bank 1

DRAWN

Cyanograph

TRUE DIMS (OBB)

476.2x94.0x44.0 mm

QTY

x2

STANDARD

ISO · 1st angle

UNITS · DATE

mm · 2026-05-13

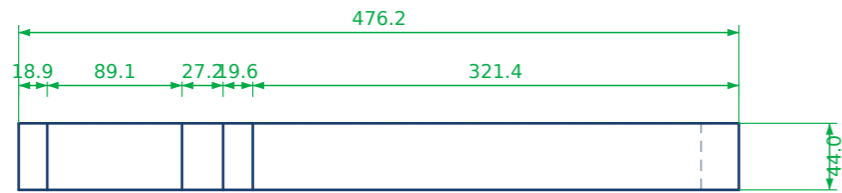
SHEET · SCALE

A3 · 1:5

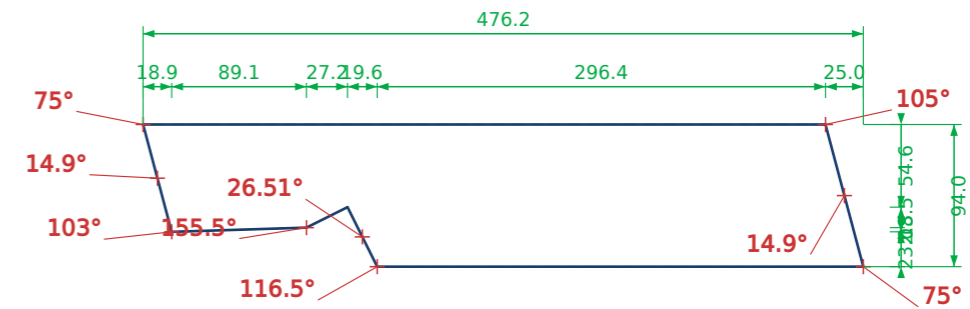
REV

A

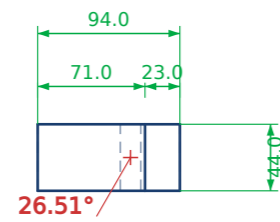
FRONT (primary)



TOP



RIGHT



ISO



CYANOGRAPH

TITLE

Detail 3: bar

outdoor bank 1.8m — Bank 1

DRAWN

Cyanograph

TRUE DIMS (OBB)

476.2x94.0x44.0 mm

STANDARD

ISO · 1st angle

SHEET · SCALE

A3 · 1:5

QTY

x2

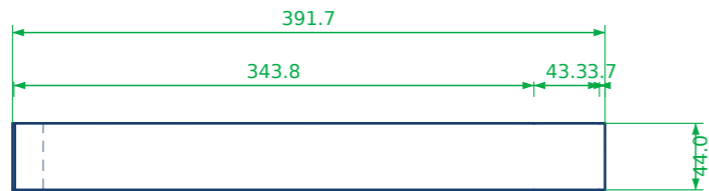
UNITS · DATE

mm · 2026-05-13

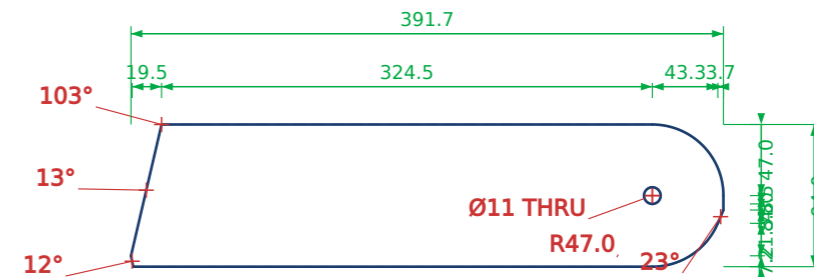
REV

A

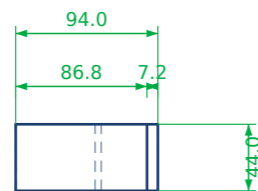
FRONT (primary)



TOP



RIGHT



ISO



CYANOGRAPH

TITLE

Detail 4: bar

outdoor bank 1.8m — Bank 1

DRAWN

Cyanograph

TRUE DIMS (OBB)

391.7×94.0×44.0 mm

QTY

×2

STANDARD

ISO · 1st angle

UNITS · DATE

mm · 2026-05-13

SHEET · SCALE

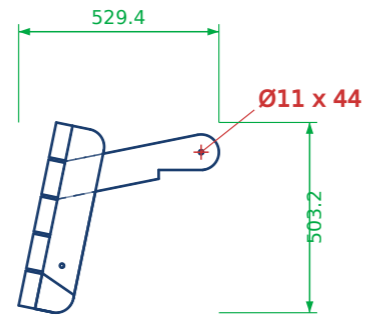
A3 · 1:5

REV

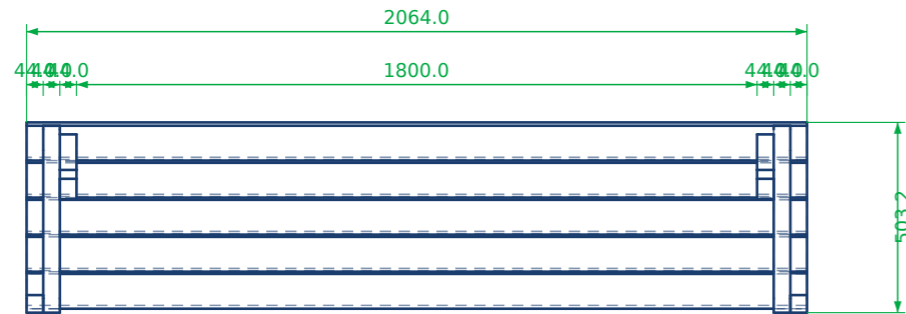
A

AI: Multi-rod clamp assembly with parallel rods and extending handle mechanism

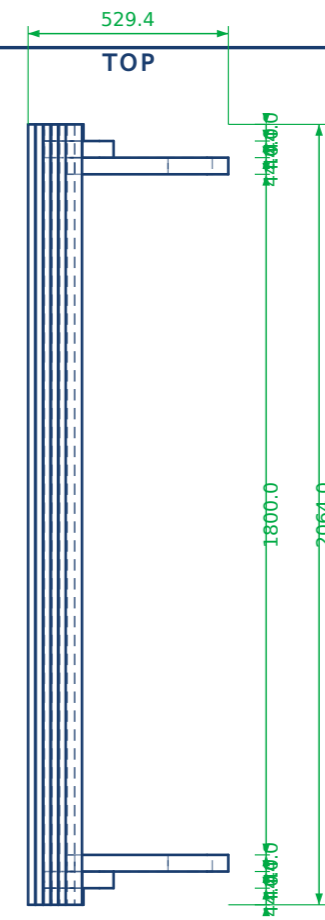
FRONT (primary)



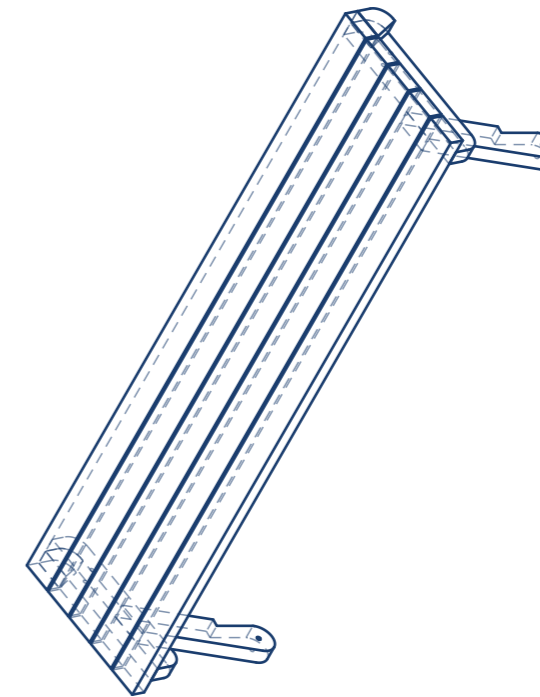
LEFT



TOP



ISO



CYANOGRAPH

TITLE

Tisch
 outdoor bank 1.8m

DRAWN

Cyanograph

TRUE DIMS (OBB)

—

QTY

x1

STANDARD

ISO · 1st angle

UNITS · DATE

mm · 2026-05-13

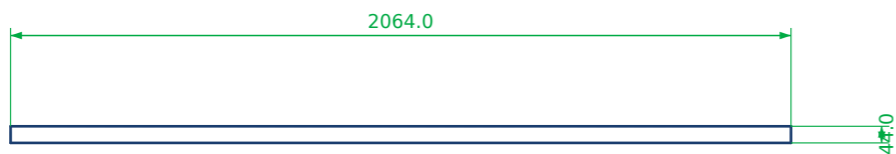
SHEET · SCALE

A3 · 1:20

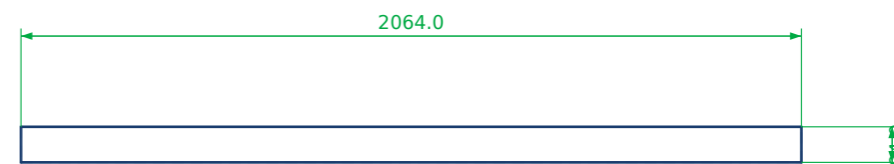
REV

A

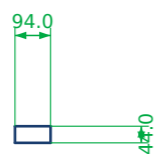
FRONT (primary)



TOP



RIGHT



ISO



CYANOGRAPH

TITLE

Detail 1: rod

outdoor bank 1.8m — Tisch

DRAWN

Cyanograph

TRUE DIMS (OBB)

2064.0×94.0×44.0 mm

QTY

×5

STANDARD

ISO · 1st angle

UNITS · DATE

mm · 2026-05-13

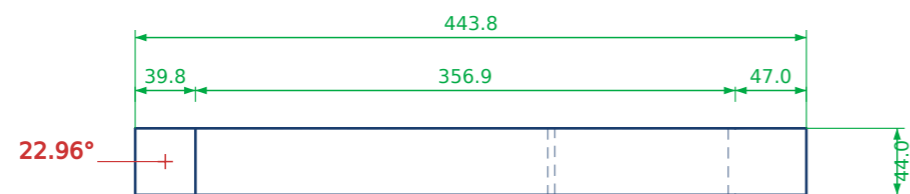
SHEET · SCALE

A3 · 1:20

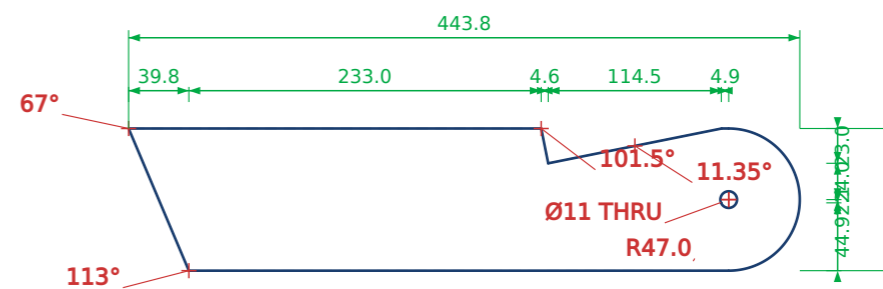
REV

A

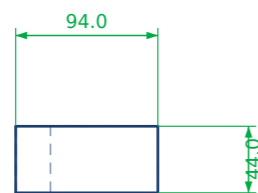
FRONT (primary)



TOP



RIGHT



ISO



CYANOGRAPH

TITLE

Detail 2: bar

outdoor bank 1.8m — Tisch

DRAWN

Cyanograph

TRUE DIMS (OBB)

443.8x94.0x44.0 mm

QTY

x2

STANDARD

ISO · 1st angle

UNITS · DATE

mm · 2026-05-13

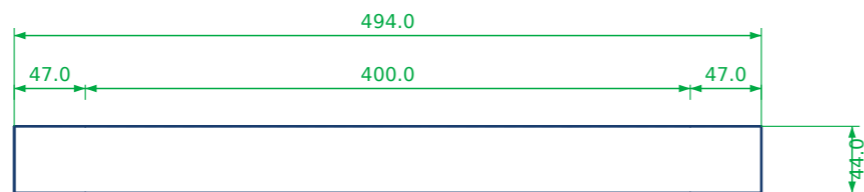
SHEET · SCALE

A3 · 1:5

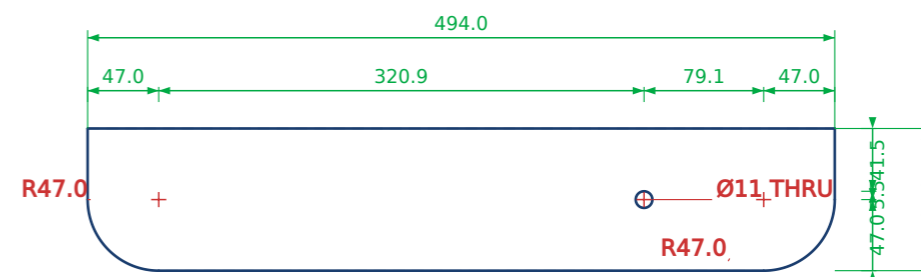
REV

A

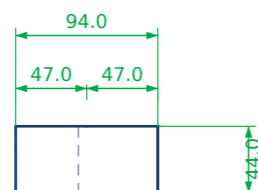
FRONT (primary)



TOP



RIGHT



ISO



CYANOGRAPH

TITLE

Detail 3: rod

outdoor bank 1.8m — Tisch

DRAWN

Cyanograph

TRUE DIMS (OBB)

494.0x94.0x44.0 mm

QTY

x2

STANDARD

ISO · 1st angle

UNITS · DATE

mm · 2026-05-13

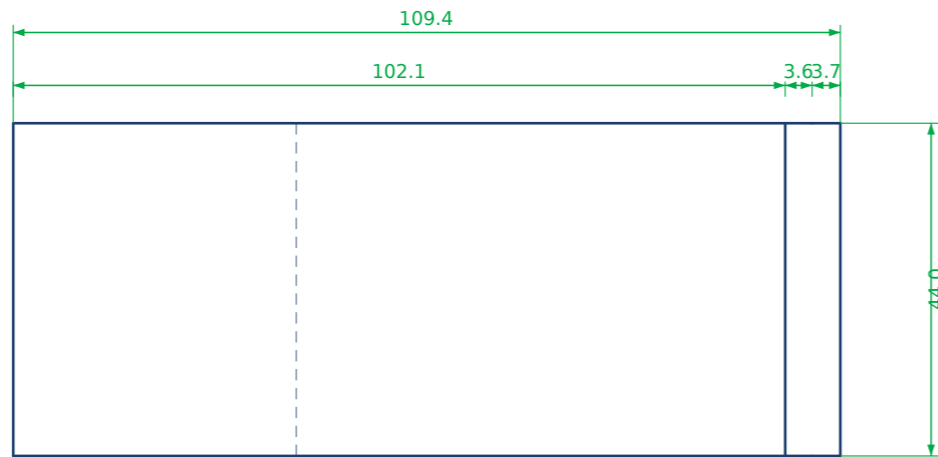
SHEET · SCALE

A3 · 1:5

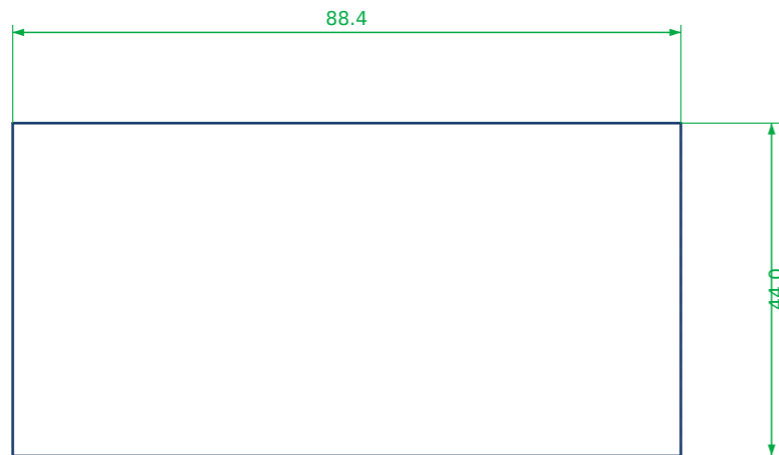
REV

A

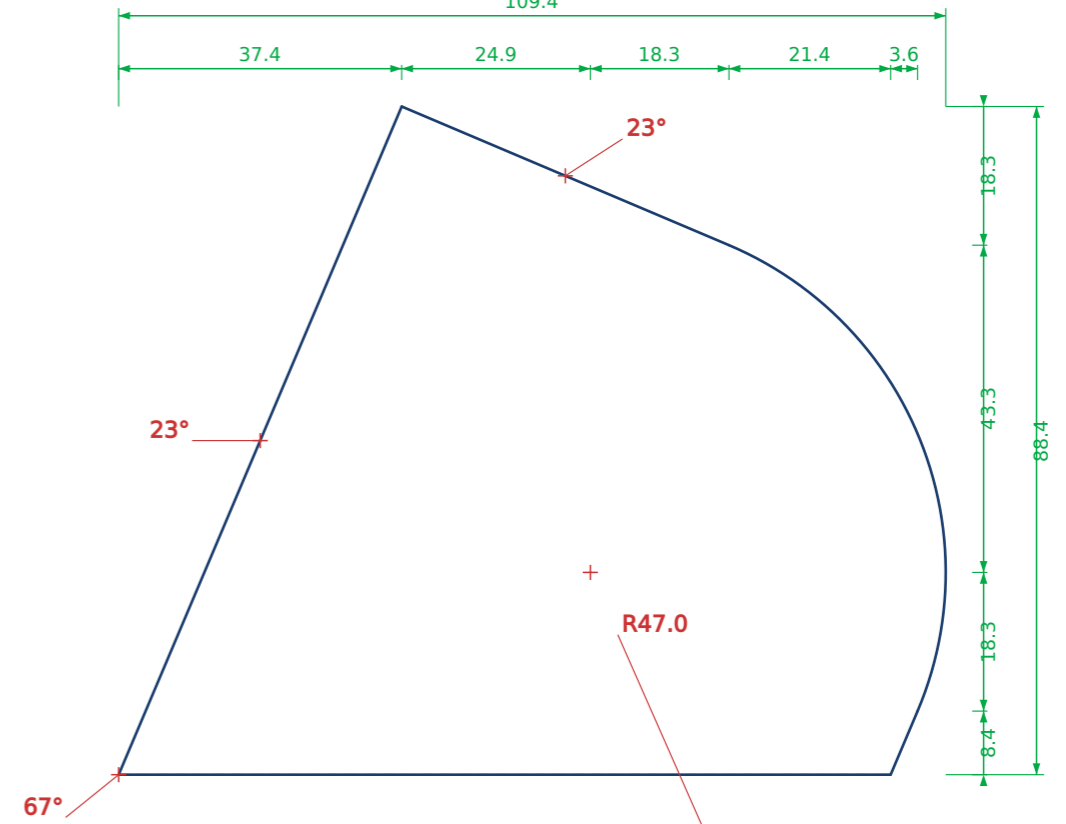
FRONT (primary)



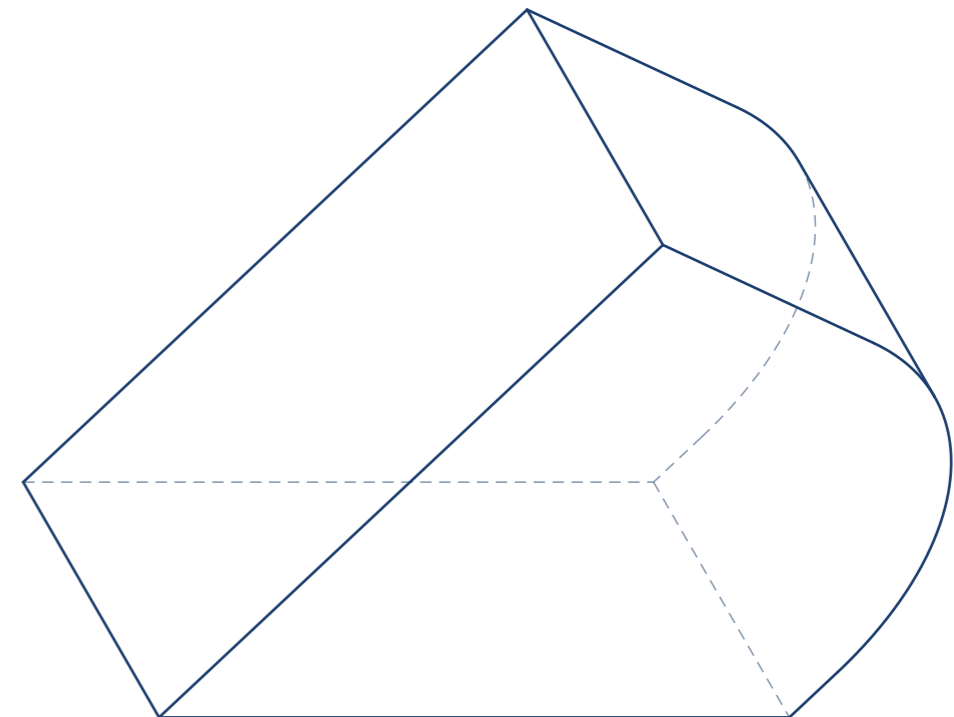
RIGHT



TOP



ISO



CYANOGRAPH

TITLE

Detail 4: bar

outdoor bank 1.8m — Tisch

DRAWN

Cyanograph

TRUE DIMS (OBB)

109.4×88.4×44.0 mm

QTY

×2

STANDARD

ISO · 1st angle

UNITS · DATE

mm · 2026-05-13

SHEET · SCALE

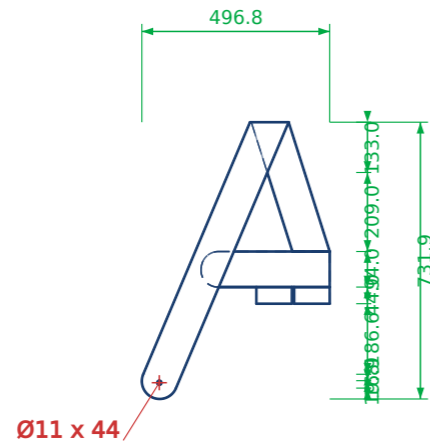
A3 · 1:1

REV

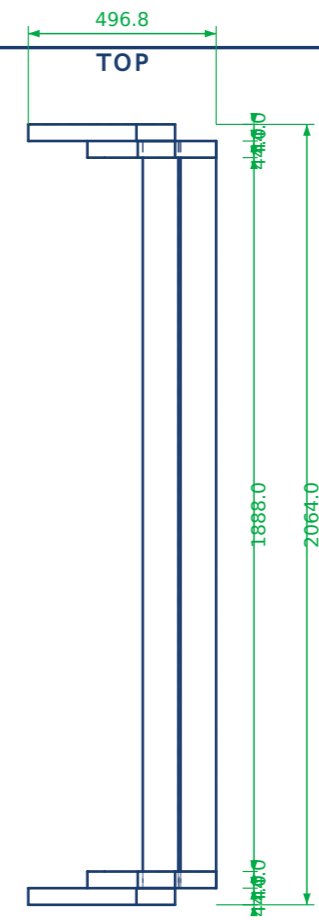
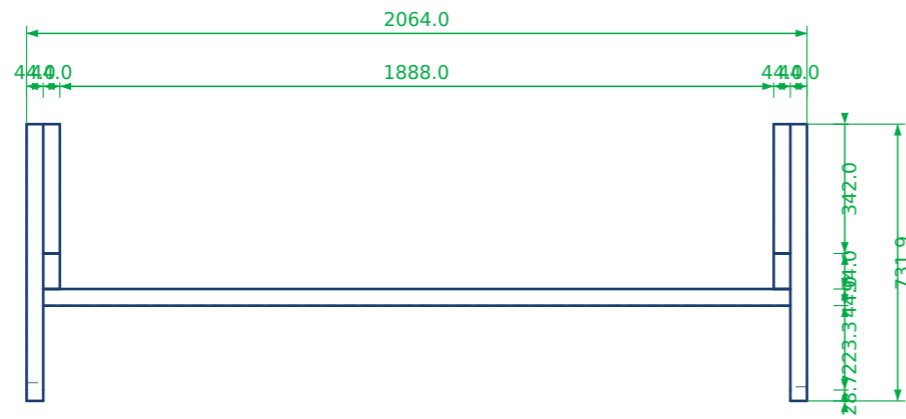
A

AI: Angled frame assembly with rods, plates, and bars forming a structural bracket

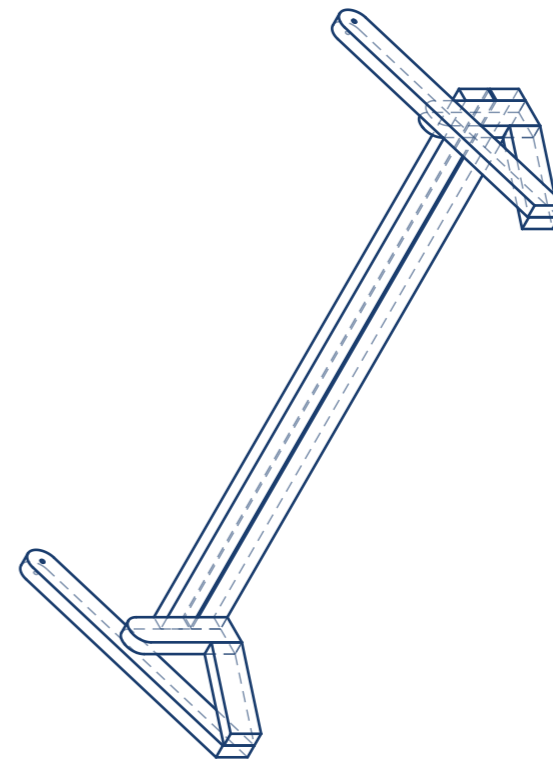
FRONT (primary)



LEFT



ISO



CYANOGRAPH

TITLE

Bank 2
outdoor bank 1.8m

DRAWN

Cyanograph

TRUE DIMS (OBB)

—

QTY

x1

STANDARD

ISO · 1st angle

UNITS · DATE

mm · 2026-05-13

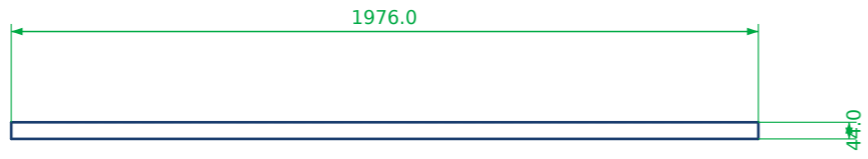
SHEET · SCALE

A3 · 1:20

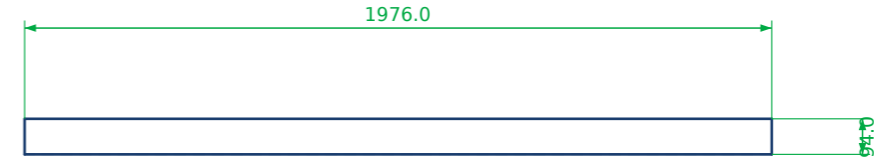
REV

A

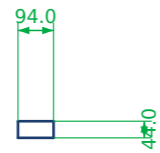
FRONT (primary)



TOP



RIGHT



ISO



CYANOGRAPH

TITLE

Detail 1: rod

outdoor bank 1.8m — Bank 2

DRAWN

Cyanograph

TRUE DIMS (OBB)

1976.0x94.0x44.0 mm

QTY

x2

STANDARD

ISO · 1st angle

UNITS · DATE

mm · 2026-05-13

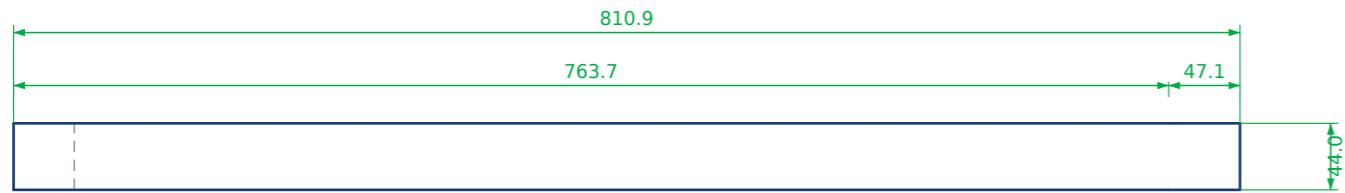
SHEET · SCALE

A3 · 1:20

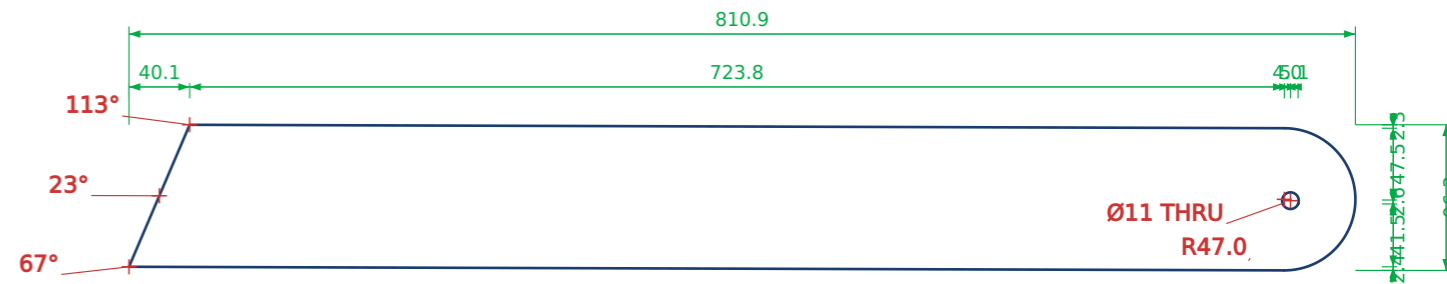
REV

A

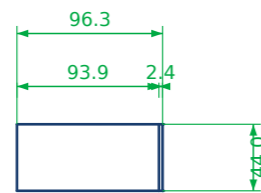
FRONT (primary)



TOP



RIGHT



ISO



CYANOGRAPH

TITLE

Detail 2: plate

outdoor bank 1.8m — Bank 2

DRAWN

Cyanograph

TRUE DIMS (OBB)

810.9×96.3×44.0 mm

QTY

×2

STANDARD

ISO · 1st angle

UNITS · DATE

mm · 2026-05-13

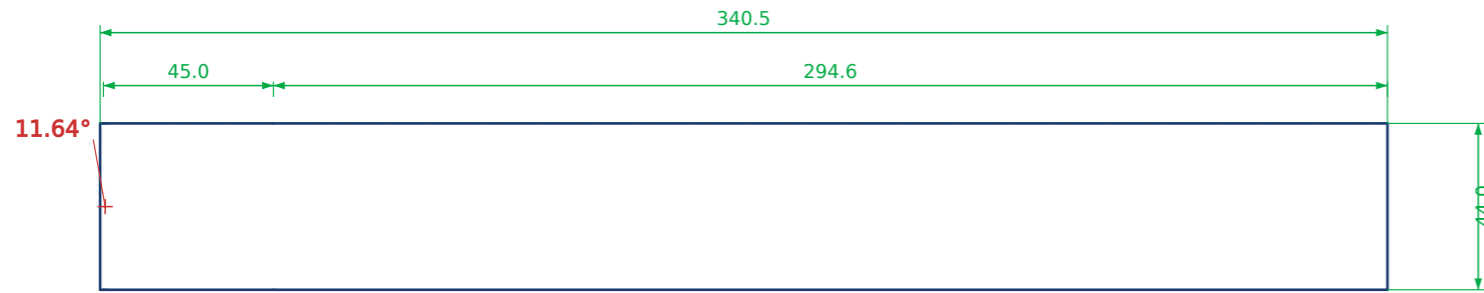
SHEET · SCALE

A3 · 1:5

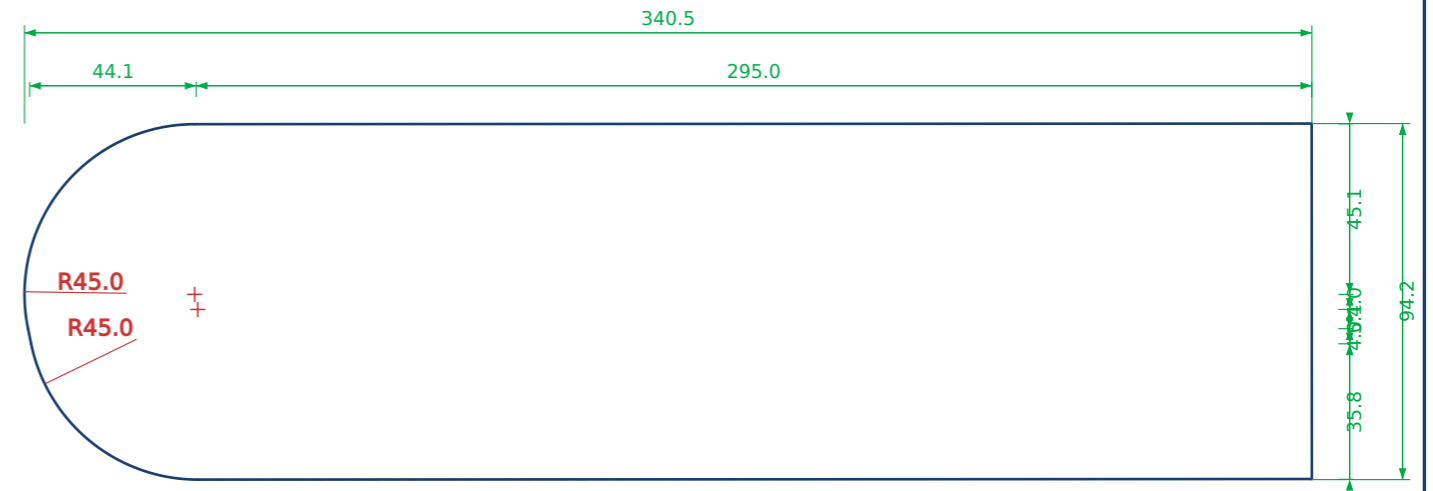
REV

A

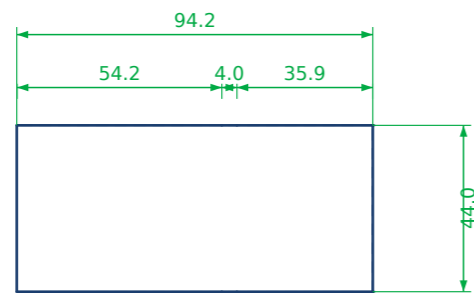
FRONT (primary)



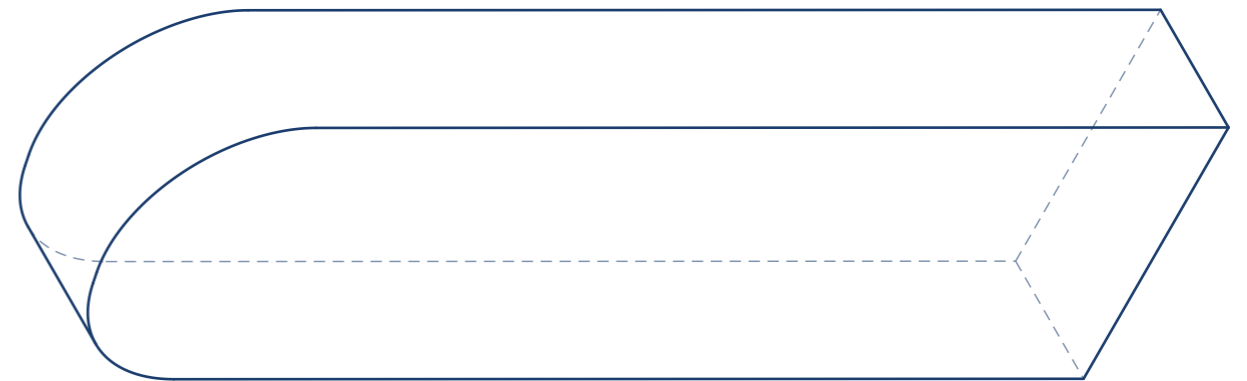
TOP



RIGHT



ISO



CYANOGRAPH

TITLE

Detail 3: bar

outdoor bank 1.8m — Bank 2

DRAWN

Cyanograph

TRUE DIMS (OBB)

340.5x94.2x44.0 mm

STANDARD

ISO · 1st angle

SHEET · SCALE

A3 · 1:2

QTY

x2

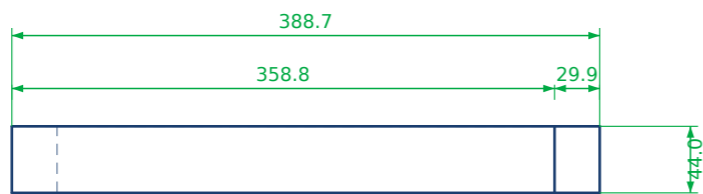
UNITS · DATE

mm · 2026-05-13

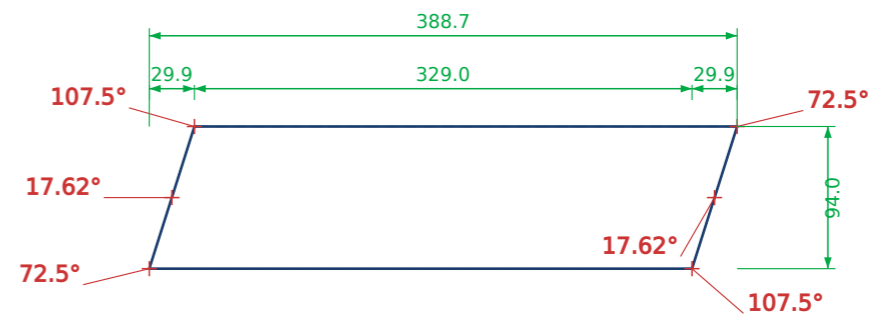
REV

A

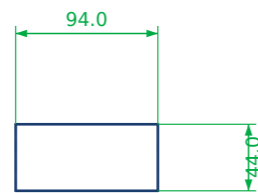
FRONT (primary)



TOP



RIGHT



ISO



CYANOGRAPH

TITLE

Detail 4: bar

outdoor bank 1.8m — Bank 2

DRAWN

Cyanograph

TRUE DIMS (OBB)

388.7×94.0×44.0 mm

STANDARD

ISO · 1st angle

SHEET · SCALE

A3 · 1:5

QTY

×2

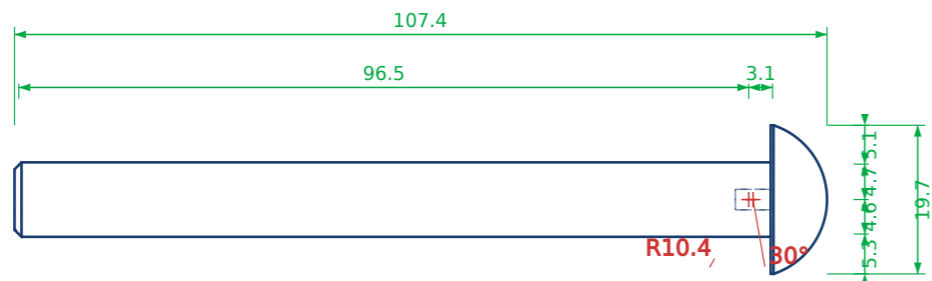
UNITS · DATE

mm · 2026-05-13

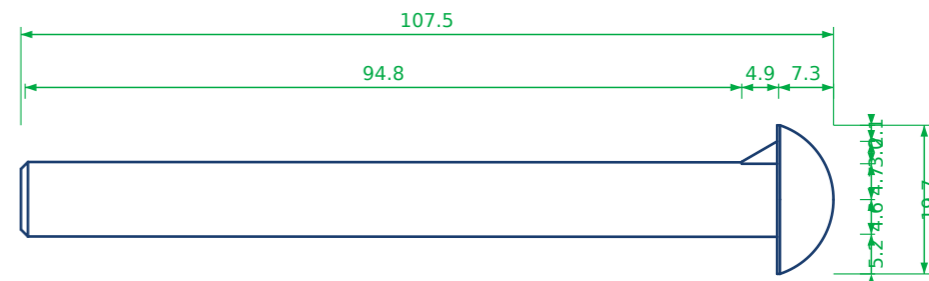
REV

A

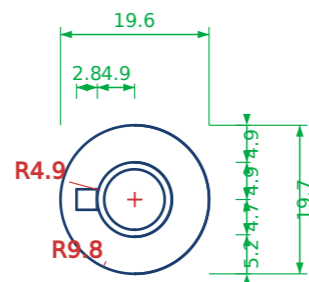
FRONT (primary)



TOP



RIGHT



ISO



CYANOGRAPH

TITLE

Detail 1: bar
outdoor bank 1.8m

DRAWN

Cyanograph

TRUE DIMS (OBB)

107.5×19.7×19.7 mm

QTY

×4

STANDARD

ISO · 1st angle

UNITS · DATE

mm · 2026-05-13

SHEET · SCALE

A3 · 1:1

REV

A